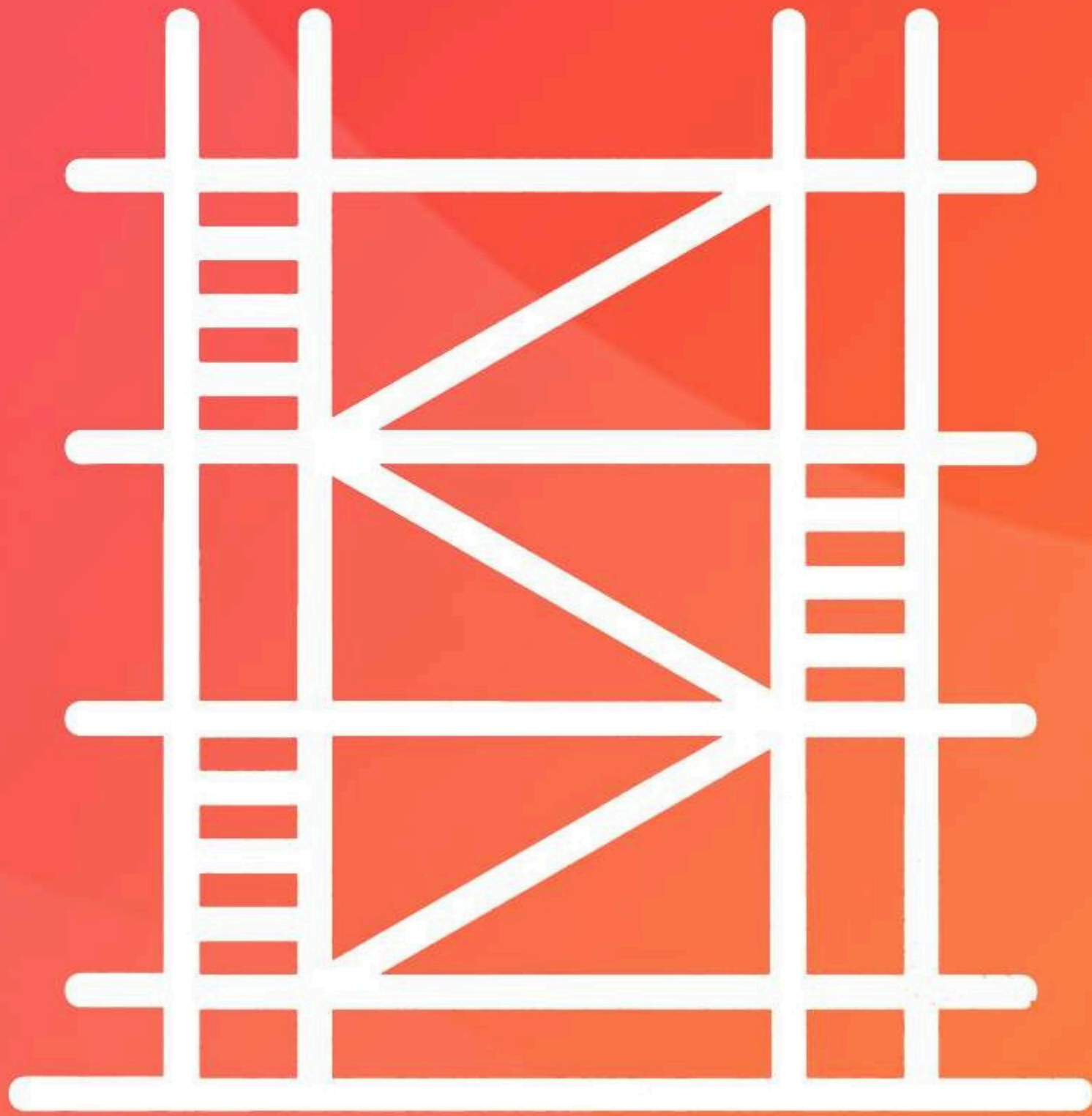
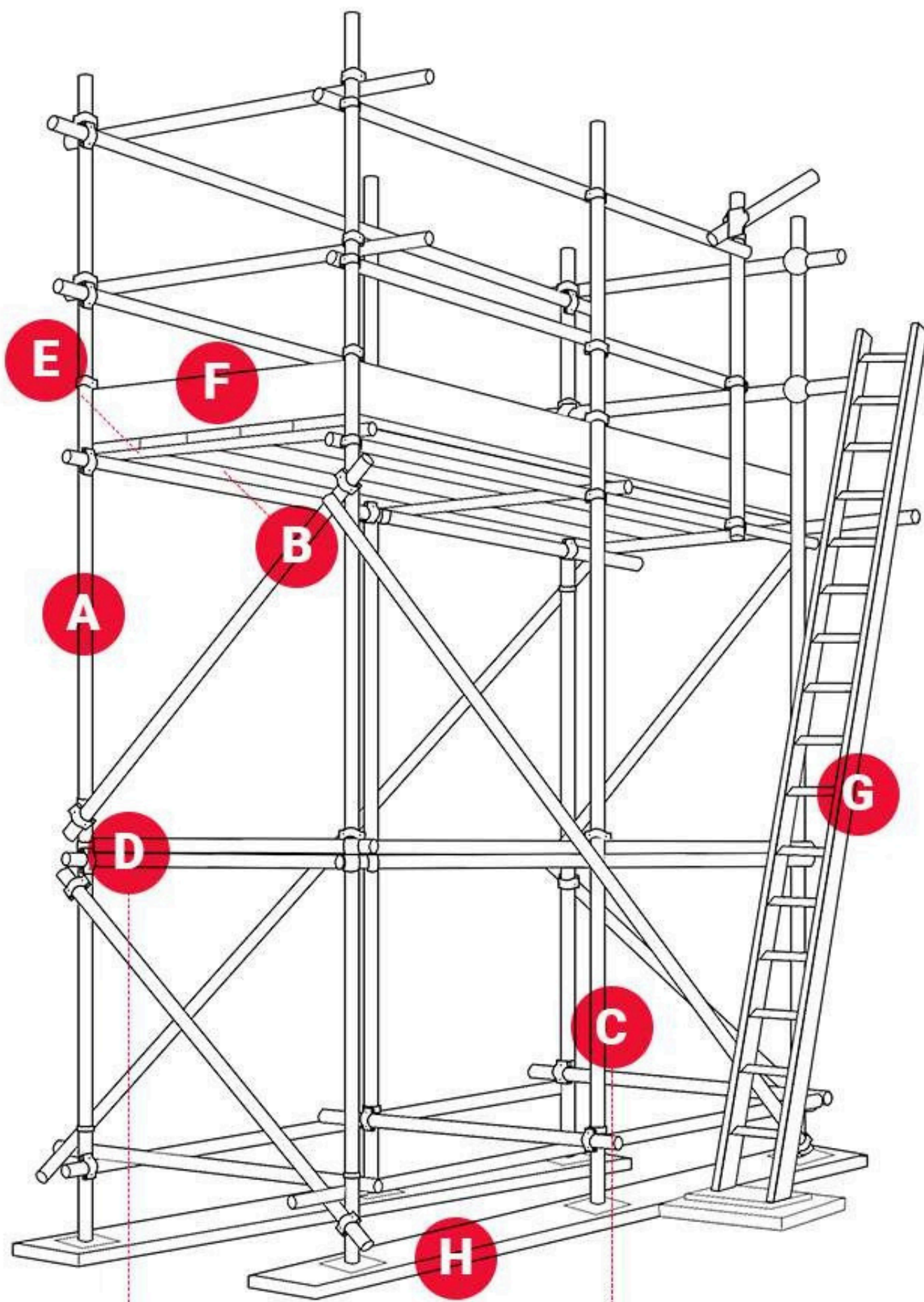


SCAFFOLDING CATALOG

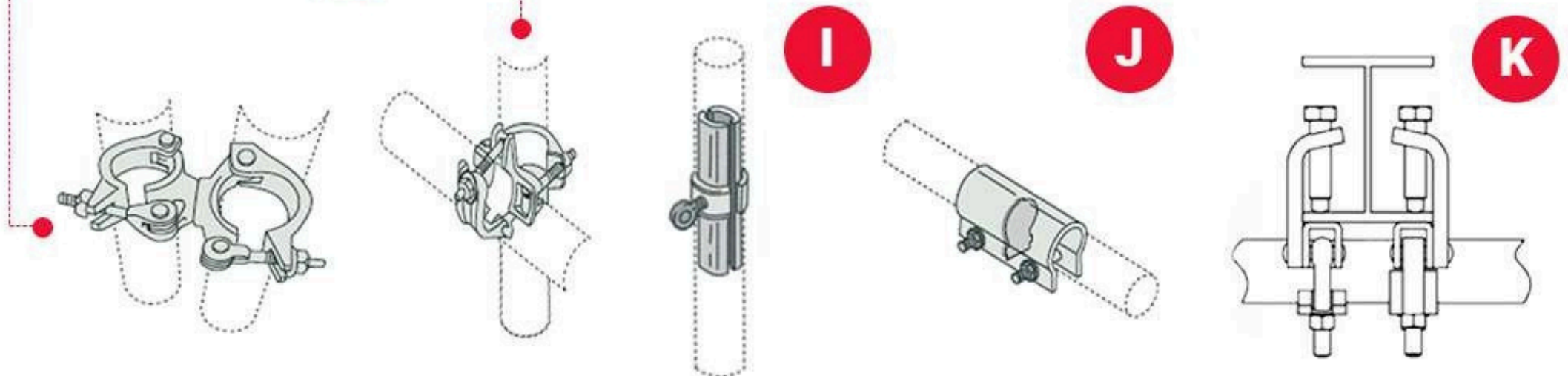


PT. LINE ONE INDONESIA

Tubular System



- A. Standard Pipe
- B. Metal Board
- C. Fixed Coupler
- D. Swivel Coupler
- E. Retaining Coupler
- F. Toe Board
- G. Stairway
- H. Base Plate
- I. Joint Pin
- J. Sleeve Coupling
- K. Beam Clamp



A1 Scaffolding Pipe



Line One BS/EN Standard Pipe

Item Code	T x L (mm)	Weight (kg)
LSP-B1-100	3.2 x 1000	3.66
LSP-B1-200	3.2 x 2000	7.33
LSP-B1-300	3.2 x 3000	11.00
LSP-B1-400	3.2 x 4000	14.66
LSP-B1-600	3.2 x 6000	21.99
LSP-B2-100	4.0 x 1000	4.50
LSP-B2-200	4.0 x 2000	9.00
LSP-B2-300	4.0 x 3000	13.50
LSP-B2-400	4.0 x 4000	18.00
LSP-B2-600	4.0 x 6000	27.00

Material	Hot Dip Galvanized Steel Tube
Dimension	OD 48.3 x 3.2 mm & 4.0 mm
Option	Length 500, 1500, 2500 mm



Line One JIS/KS Standard Pipe

Item Code	T x L(mm)	Weight(kg)
LSP-J1-100	2.3 x 1000	1.91
LSP-J1-200	2.3 x 2000	3.71
LSP-J1-300	2.3 x 3000	5.51
LSP-J1-400	2.3 x 4000	7.35
LSP-J1-600	2.3 x 6000	10.91

Material	Hot Dip Galvanized Steel Tube
Dimension	OD 48.6 mm
Option	Length 500, 1500, 2500 mm

A2 Metal Plank



Line One SS Standard Metal Board

Item Code	W x D x L (mm)	Weight (kg)
LSMB-S1-100	250 x 40 x 1000	3.95
LSMB-S1-200	250 x 40 x 2000	7.37
LSMB-S1-300	250 x 40 x 3000	10.80
LSMB-S1-400	250 x 40 x 4000	14.21

Material Hot Dip Galvanized Steel Sheet (GI)
Thickness 1.2mm



Line One AS Standard Metal Board

Item Code	W x D x L (mm)	Weight (kg)
LSMB-A1-090	250 x 50 x 900	4.13
LSMB-A1-100	250 x 50 x 1000	4.59
LSMB-A1-200	250 x 50 x 2000	8.81
LSMB-A1-300	250 x 50 x 3000	13.02
LSMB-A1-400	250 x 50 x 4000	17.23

Material Hot Dip Galvanized Steel Sheet (GI)
Thickness 1.2mm



Line One JIS Standard Metal Board

Item Code	W x D x L (mm)	Weight (kg)
LSMB-J1-100	400 x 50 x 1000	4.90
LSMB-J1-200	400 x 50 x 2000	9.80
LSMB-J1-300	400 x 50 x 3000	14.70
LSMB-J1-400	400 x 50 x 4000	19.60

Material Hot Dip Galvanized Steel Sheet (GI)
Thickness 1.2mm

A3 Pressed Coupler



Line One BS Standard Pressed Coupler

Item Code	LPFC-1
Name	Fixed Coupler
Size	48.3 mm
Min. Slip Load	10 kN
Distortion Load	20 kN
Weight	0.85 kg
Surface	Zinc Electro Plating



Line One BS Standard Pressed Coupler

Item Code	LPSC-1
Name	Swivel Coupler
Size	48.3 mm
Min. Slip Load	10 kN
Distortion Load	20 kN
Weight	0.85 kg
Surface	Zinc Electro Plating



Line One JIS Standard Pressed Coupler

Item Code	LPFC-2
Name	Fixed Coupler
Size	48.6 mm
Weight	0.68 kg
Surface	Zinc Electro Plating



Line One JIS Standard Pressed Coupler

Item Code	LPSC-2
Name	Swivel Coupler
Size	48.6 mm
Weight	0.68 kg
Surface	Zinc Electro Plating

A4 Forged Coupler



Line One BS Standard Forged Coupler

Item Code	LFFC-1
Name	Fixed Coupler
Size	48.3 mm
Min. Slip Load	15 kN
Distortion Load	30 kN
Weight	1.05 kg
Surface	Hot Dip Galvanized



Line One BS Standard Forged Coupler

Item Code	LFSC-1
Name	Swivel Coupler
Size	48.3 mm
Min. Slip Load	15 kN
Distortion Load	30 kN
Weight	1.05 kg
Surface	Hot Dip Galvanized



Line One BS Standard Forged Coupler

Item Code	LFPC-1
Name	Putlog Coupler
Size	48.3 mm
Weight	0.64 kg
Surface	Zinc Electro Plating



Line One BS Standard Forged Coupler

Item Code	LFGC-1
Name	Girder Coupler
Size	48.3 mm
Weight	1.5 kg
Surface	Zinc Electro Plating

A5 Beam Coupler & Clip



Line One JIS Standard Beam Clamp

Item Code	LBFC-1
Name	Fixed Coupler
Size	48.6 mm
Weight	0.98 kg
Surface	Zinc Electro Plating



Line One JIS Standard Beam Clamp

Item Code	LBSC-1
Name	Swivel Coupler
Size	48.6 mm
Weight	0.98 kg
Surface	Zinc Electro Plating



Line One BS Standard Beam Clamp

Item Code	LBFC-2
Name	Fixed Coupler
Size	48.3 mm
Weight	1.12 kg
Surface	Hot Dip Galvanized



Line One BS Standard Beam Clamp

Item Code	LBSC-2
Name	Swivel Coupler
Size	48.3 mm
Weight	1.12 kg
Surface	Hot Dip Galvanized

A6 Board Retaining Coupler



Line One Board Retaining Coupler

Item Code	LBRC-1	LBRC-2
Height	40mm	50mm
Weight	0.62 kg	0.75 kg
Surface Option	Zinc Electro Plating Hot Dip Galvanized	



Line One Adjustable Stair Clamp

Item Code	LASC-1
Name	Adjustable Stair Clamp
Size	(W)250 x (D)50
Weight	1.20 kg
Surface Option	Zinc Electro Plating Hot Dip Galvanized



Line One Toe End Clip

Item Code	LTEC-1
Name	Putlog Coupler
Size	48.3 mm
Weight	0.38 kg
Surface Option	Zinc Electro Plating Hot Dip Galvanized



Line One Adjustable Ladder Clamp

Item Code	LALC-1
Name	Girder Coupler
Size	48.3 mm
Weight	0.65 kg
Surface Option	Zinc Electro Plating Hot Dip Galvanized

A7 Joint & Base Parts



Line One Pressed Sleeve Coupler

Item Code	LPSC-1
Name	Sleeve Coupler
Size	48.6 mm
Weight	1.00 kg
Surface	Zinc Electro Plating
Option	Hot Dip Galvanized



Line One Pressed Joint Pin

Item Code	LPJP-1
Name	Sleeve Coupler
Size	48.6 mm
Weight	0.6 kg
Surface	Zinc Electro Plating
Option	Hot Dip Galvanized



Line One Base Plate

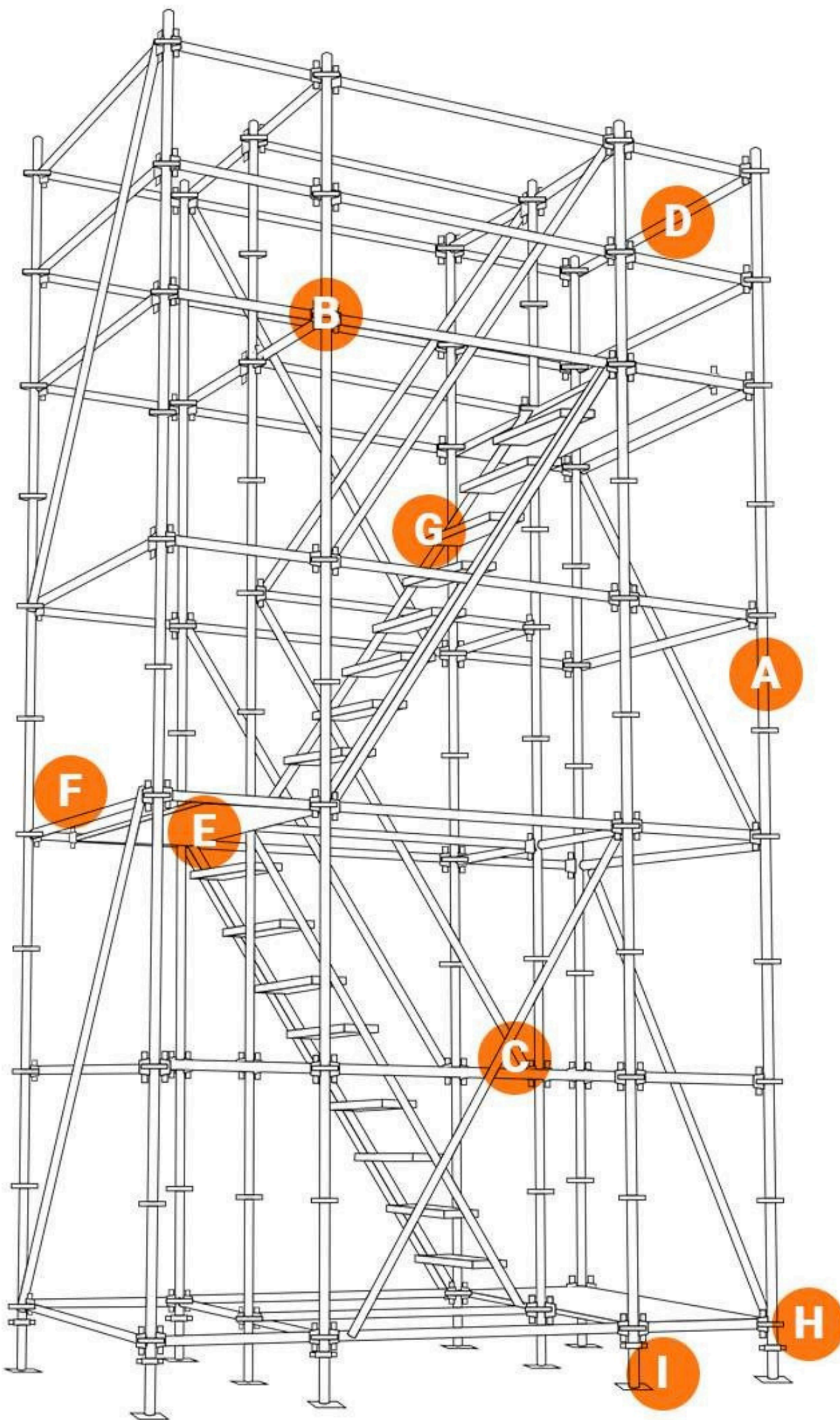
Item Code	LBP-1
Name	Base Plate
Size	150 x 150 mm
Weight	0.99 kg
Surface	Hot Dip Galvanized



Line One Safety Guardrail Post

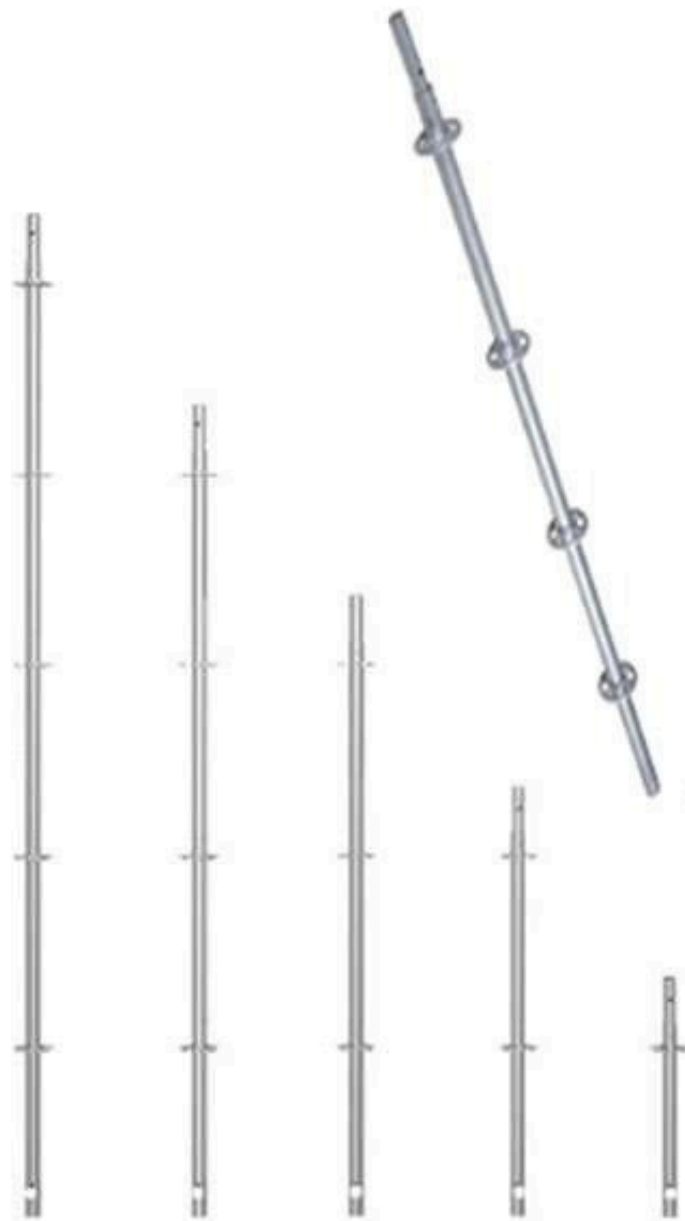
Item Code	LSGP-1
Name	Safety Guardrail Post
Size	(W)115 x (H)1150 mm
Weight	9.61 kg
Surface	Painting

Ringlock System



- A. Vertical Pipe
- B. Horizontal Ledger
- C. Brace
- D. Transom
- E. Metal Board
- F. Toe Board
- G. Stairway
- H. Jack Base Plate
- I. Foot Base

B1 Pipe & Ledger



Line One Vertical Pipe

Item Code	Length (m)	Weight (kg)
LRS-050	0.5	3.19
LRS-100	1.0	5.66
LRS-150	1.5	8.07
LRS-200	2.0	10.45
LRS-250	2.5	12.87
LRS-300	3.0	15.29
LRS-400	4.0	20.11

Material Hot Dip Galvanized Steel Tube
Dimension OD 48.3 x 3.2 mm
Accessories with Spigot

Line One Horizontal Ledger



Item Code	Length (m)	Weight (kg)
LRL-065	0.65	3.14
LRL-088	0.88	3.93
LRL-092	0.92	4.09
LRL-107	1.07	4.68
LRL-115	1.15	4.95
LRL-157	1.57	6.47
LRL-183	1.83	7.40
LRL-213	2.13	8.49
LRL-244	2.44	9.61
LRL-305	3.05	11.83

Material Hot Dip Galvanized Steel Tube
Dimension OD 48.3 x 3.0 mm

B2 Truss Ledger & Brace



Line One Truss Ledger

Item Code	Length (m)	Weight (kg)
LRTL-213	2.13	16.10
LRTL-305	3.05	24.00
LRTL-426	4.26	31.81
LRTL-517	5.17	38.25
Material	Hot Dip Galvanized Steel Tube	
Dimension	OD 48.3 x 3.0 mm	



Line One Brace (Diagonal)

Item Code	Length (m)		Weight (kg)
	(Bay)	(Brace)	
LRB-065	0.65	2.07	7.34
LRB-088	0.88	2.15	7.99
LRB-092	0.92	2.17	8.31
LRB-107	1.07	2.23	8.40
LRB-115	1.15	2.26	8.53
LRB-157	1.57	2.48	9.23
LRB-183	1.83	2.64	9.72
LRB-213	2.13	2.85	10.31
LRB-244	2.44	3.07	11.02
LRB-305	3.05	3.56	12.15
Material	Hot Dip Galvanized Steel Tube		
Dimension	OD 48.3 x 2.5 mm		

* Bay braces are described by the horizontal ring and the rise on all Standard is 2M.

B3 Transom & Metal / Toe Board



Line One Intermediate Transom



Item Code	Length (m)	Weight (kg)
LRIT-115	1.15	5.36
LRIT-157	1.57	6.85
LRIT-213	2.13	8.91
LRIT-305	3.05	12.20

Material Hot Dip Galvanized Steel Tube
Dimension OD 48.3 x 3.0 mm

Line One Metal Board



Item Code	Length (m)	Weight (kg)
LRMB-115	1.15	10.49
LRMB-157	1.57	13.54
LRMB-213	2.13	17.64
LRMB-305	3.05	24.34

Material GI Steel Plate

* "C" Profile with 241mm width, 67.5mm Height and 1.8mm thickness

Line One Toe Board



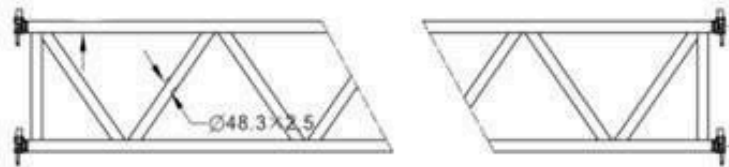
Item Code	Length (m)	Weight (kg)
LRTB-070	0.70	2.00
LRTB-110	1.10	2.60
LRTB-150	1.50	3.60
LRTB-200	2.00	4.80
LRTB-250	2.50	6.00
LRTB-300	3.00	7.20

Material GI Steel Plate
Thickness 1.2 mm

B4 Girder & Bracket & Base Plate



Line One Lattice Girder



Item Code	A Length (m)	Weight (kg)
LRLG-115	5.17	70.47
LRLG-157	6.14	82.63
LRLG-213	7.71	103.76

Material Hot Dip Galvanized Steel Tube
Dimension OD 48.3 x 3.0 mm

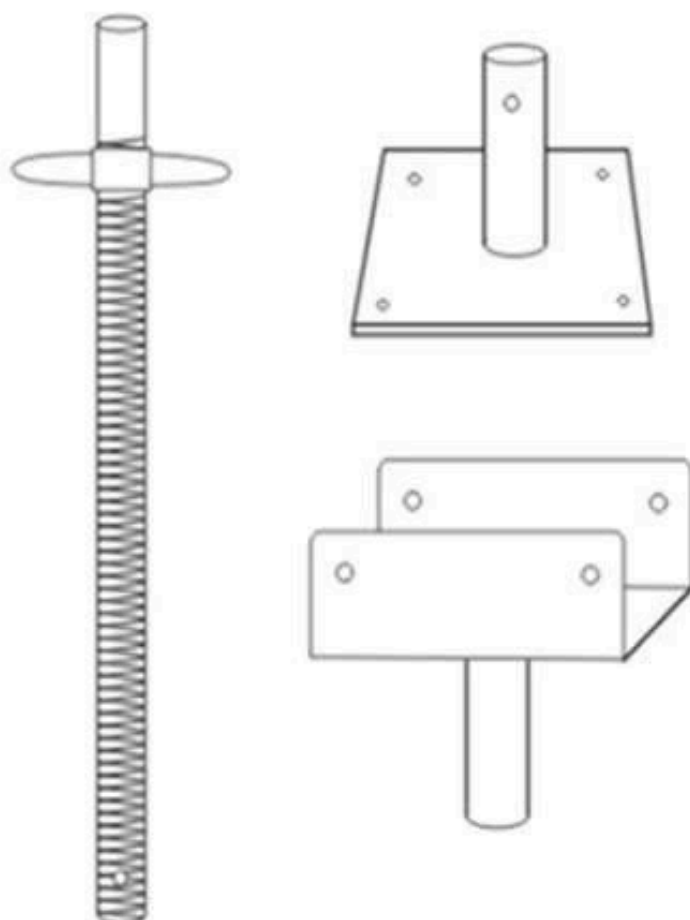
Line One Side Brackets



Item Code	Length (m)	Weight (kg)
LRSB-065	0.65	6.61
LRSB-088	0.88	8.62

Material Hot Dip Galvanized Steel Tube
Dimension OD 48.3 x 3.0 mm

Line One Jack & Base Plate & Fixed Forkheads



Item Code	Dimension (mm)	Weight (kg)
LRUJ-1	H = 860	3.9
LRUJ-2	H = 300	3.3
LRBP-1	H = 110	2.3
LRFH-1	H 86 x L 200	3.9
LRFH-2	H 162 x L 150	3.7
LRFH-3	H 186 x L 200	5.2

Material Hot Dip Galvanized Steel
UJ = Universal Jack
BP = Base Plate
FH = Fized Forkhead

B5 Ladder & Stairway & Collar



Line One Steel Ladder

Item Code	A Length (m)	Weight (kg)
LRSL-3	0.91	5.19
LRSL-5	1.52	8.25
LRSL-10	3.05	16.50

Material Hot Dip Galvanized Steel Tube
Dimension OD 42.0 x 2.0 mm



Line One Stairway

Item Code	A Length (m)	Weight (kg)
LRSW-1	2.14 x 2.0	110.16
LRSW-2	2.44 x 2.0	120.96
LRSW-3	2.5 x 2.0	125.56

Material Hot Dip Galvanized Steel Tube
* One set includes the treads and 1 stringer right and 1 stringer left



Line One Base Collar

Item Code	Levngh (m)	Weight (kg)
LRBC-024	0.24	1.53

Material Hot Dip Galvanized Steel Tube
Dimension OD 48.3 x 3.0 mm

Line One Rosettes/ Ledger Head / Brace Head



LRR-1



LRR-2



LRR-3



LRR-4



LRR-5



LRR-6

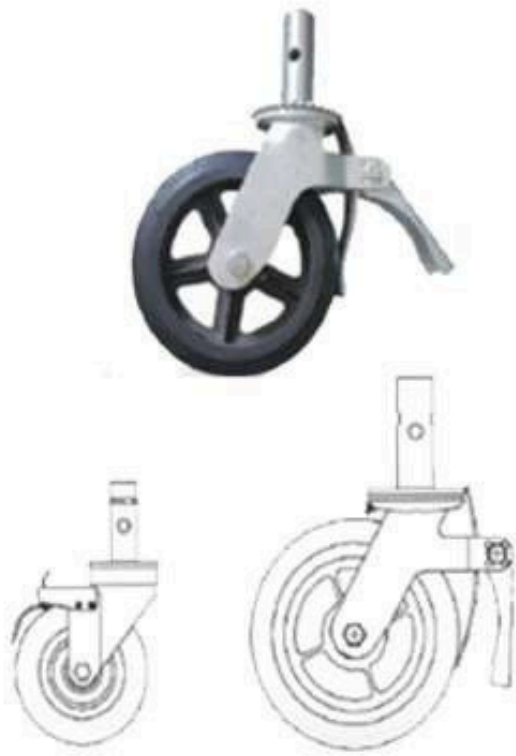


LRLH-1



LRBH-1

C1 Accessories - 1



Line One Caster Wheel

Item Code	Size (mm)	Weight (kg)
LACW-5	5"	0.3
LACW-6	6"	0.5
LACW-7	8"	1.0

Material Hot Dip Galvanized Steel + Rubber with Brake



Line One Cover Coupler

Item Code	Size (mm)	Weight (kg)
LACF-1	ID 48.6	0.01

Material PE or Silicon



Line One Pipe End Cap

Item Code	Size (mm)	Weight (kg)
LAPC-1	ID 48.6	0.01

Material PP or Silicon



Line One Foot Base

Item Code	Size (mm)	Weight (kg)
LAFB-1	220.00	0.10

Material HDPE

C2 Accessories - 2



Line One Aluminum Ladder

Item Code	Size (mm)	Weight (kg)
LAAL-400	4.00	9.50
LAAL-500	5.00	11.88
LAAL-600	6.00	14.26
Material	Aluminum	



Line One Safety Net & Rope

Item Code	Size (mm)	Weight (kg)
LASN-60	4 x 50 (Mesh 60)	21.60
LAFN-60	1.2 x 60 (Mesh 60)	7.78
LASR-12	Φ12 x 100 m	7.56
Color	Green, Blue, White	



Line One Tag

Item Code	Type	Size
TAG-1	1 Holder + 3 Insert	4" x 8"
TAG-2	1 Set Insert (R,Y,G)	3" x 6"
Color	Black, Red, Silver	



Line One Ratchet

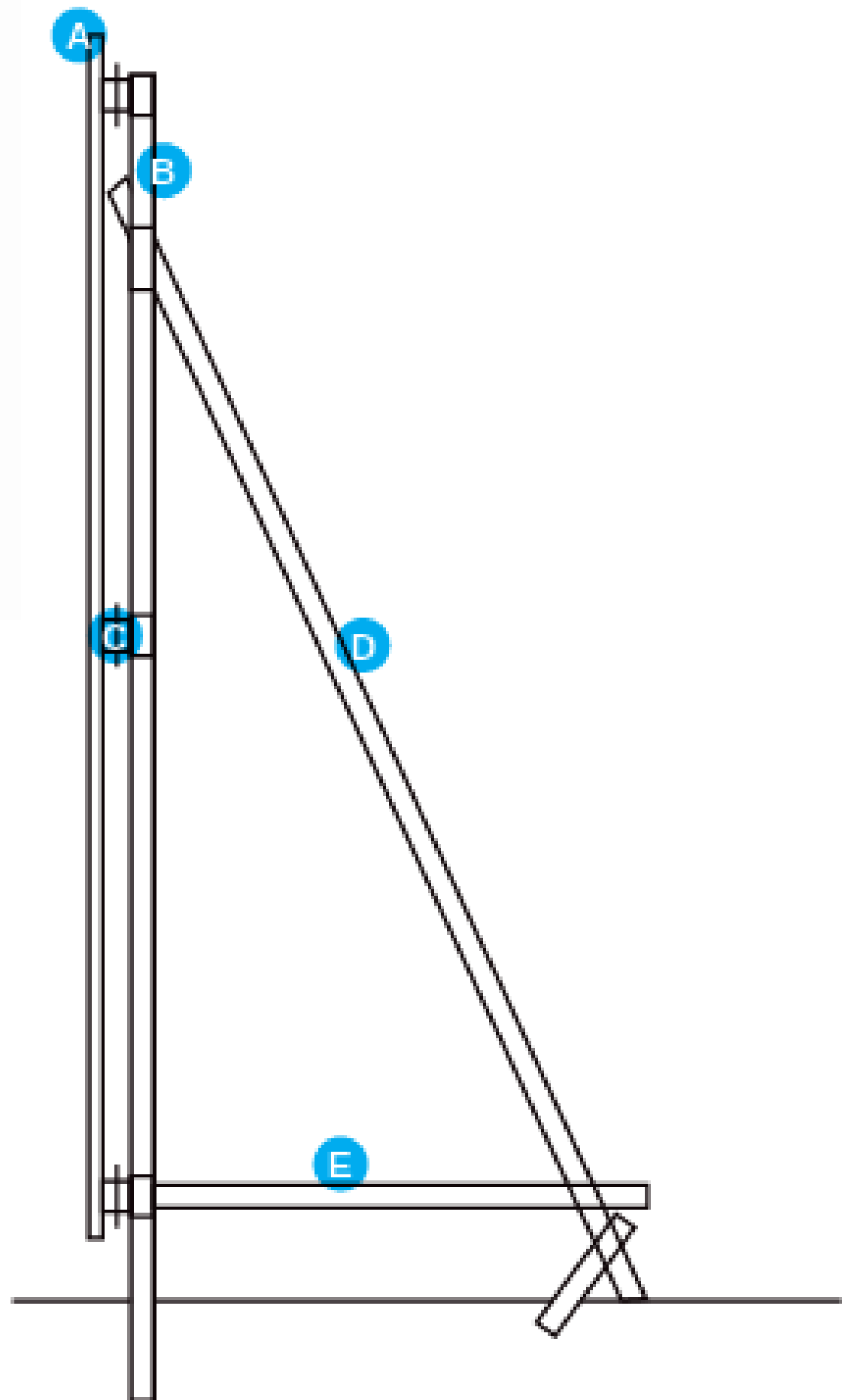
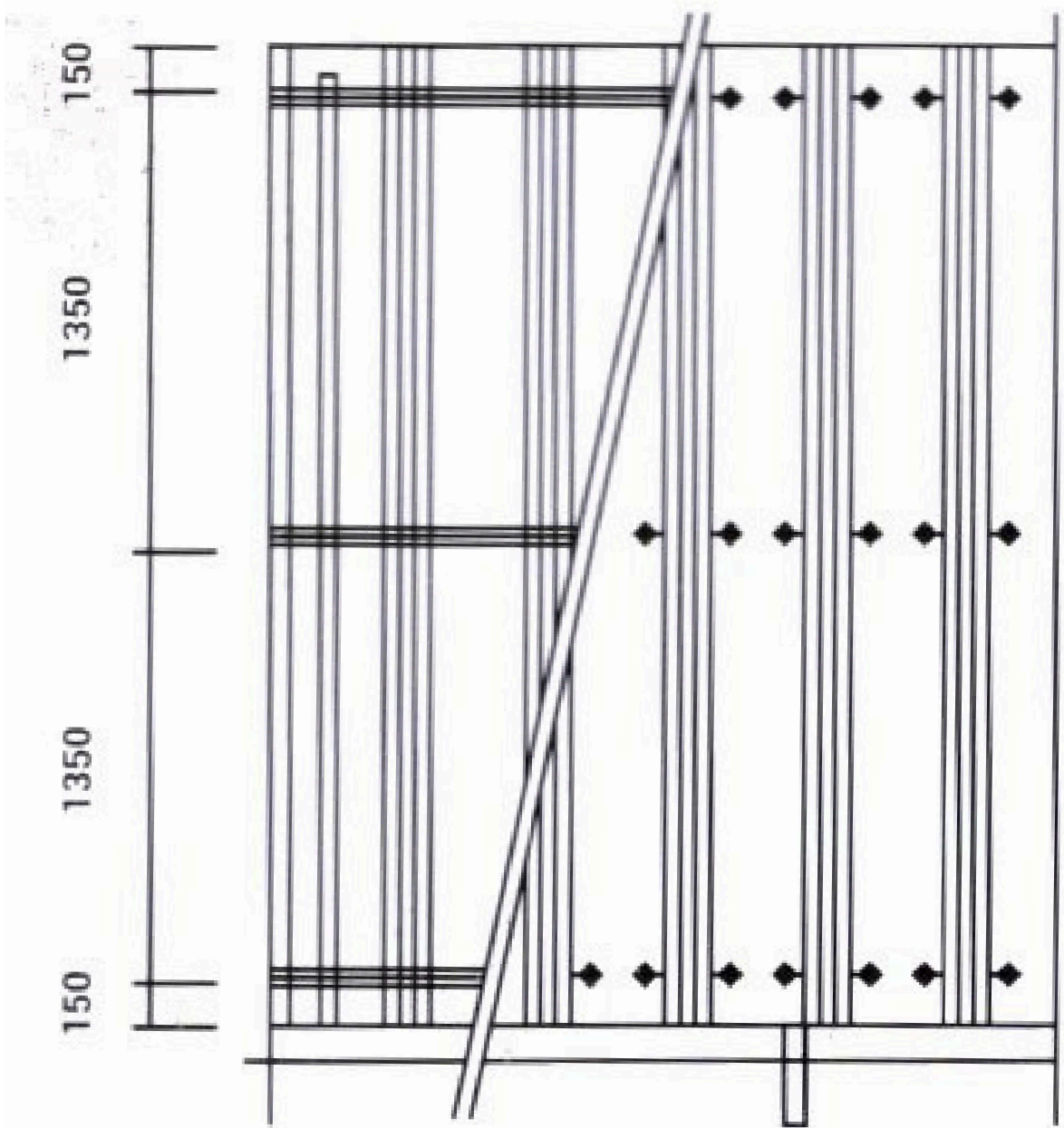
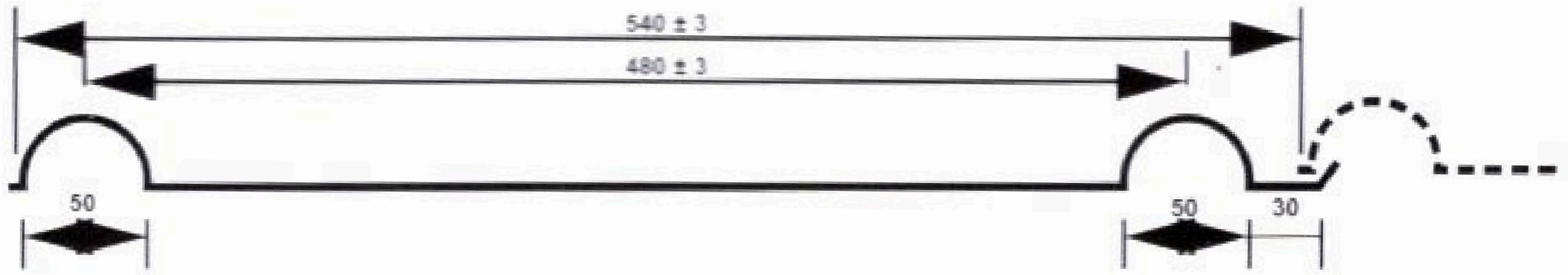
Item Code	Size (mm)	Weight (kg)
LAR-1721	17 x 21	0.3
LAR-1921	19 x 21	0.5
Color	Black, Red, Silver	

HGI

Fence

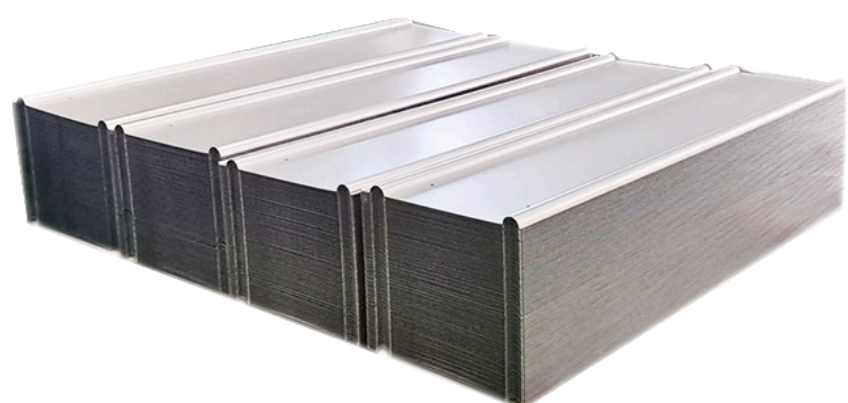


Installation Drawing



- A.** HGI Fence
- B.** Vertical Pipe
- C.** Horizontal Pipe
- D.** Support Pipe-1
- E.** Support Pipe-2

Line One HGI Fence



Item Code	W xT x L (mm)	Weight (kg)
LHF-NEM-100	500 x 0.4 x 1000	1.9
LHF-NEM-200	500 x 0.4 x 2000	3.8
LHF-NEM-300	500 x 0.4 x 3000	5.7
LHF-NEM-400	500 x 0.4 x 4000	7.7
LHF-NEM-500	500 x 0.4 x 5000	9.6
LHF-NEM-600	500 x 0.4 x 6000	11.5
LHF-NEN-100	500 x 0.6 x 1000	2.9
LHF-NEN-200	500 x 0.6 x 2000	5.7
LHF-NEN-300	500 x 0.6 x 3000	8.9
LHF-NEN-400	500 x 0.6 x 4000	11.5
LHF-NEN-500	500 x 0.6 x 5000	14.4
LHF-NEN-600	500 x 0.6 x 6000	17.2
LHF-SD-100	500 x 1.2 x 1000	5.7
LHF-SD-200	500 x 1.2 x 2000	11.5
LHF-SD-300	500 x 1.2 x 3000	17.2
LHF-SD-400	500 x 1.2 x 4000	23.0
LHF-SD-500	500 x 1.2 x 5000	28.7
LHF-SD-600	500 x 1.2 x 6000	34.5

Material Hot Dip Galvanized Steel Sheet (GI)

Line One Hook Clamp

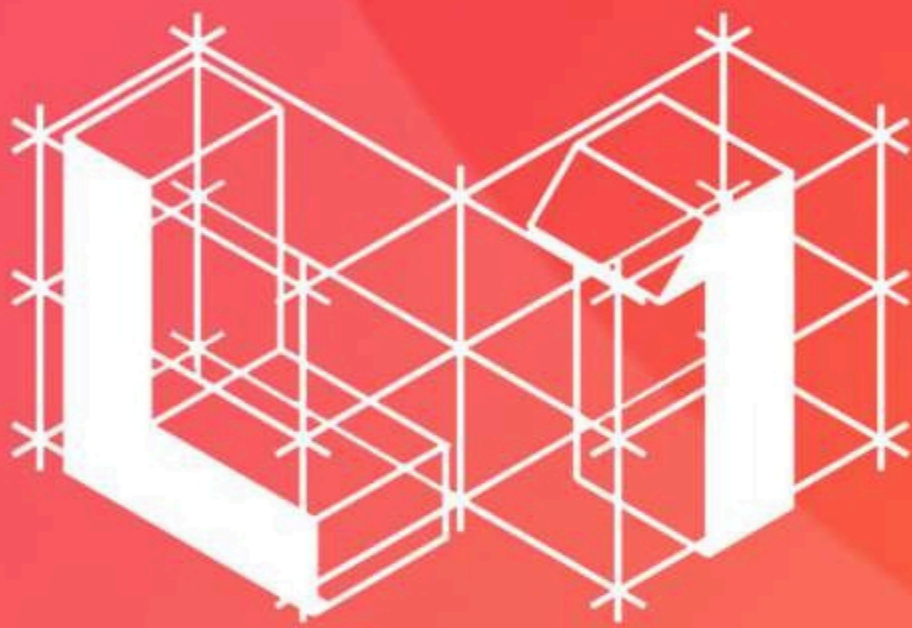


Item Code	LHC-1
Name	Hook Clamp
Size	5/16'-18G
Weight	0.05 Kg
Surface	Hot Dip Galvanized

Line One Fence Pile



Item Code	LFP-1
Name	Fence Pile
Size	H650
Weight	4.62 Kg
Surface	Hot Dip Galvanized



LINE ONE

SCAFFOLDING

Lt. UG Block AT No. 2/1, Grand Serpong Mall
contact **CUSTOMER SERVICES (0812-1801-0085)**

www.lineoneindonesia.com